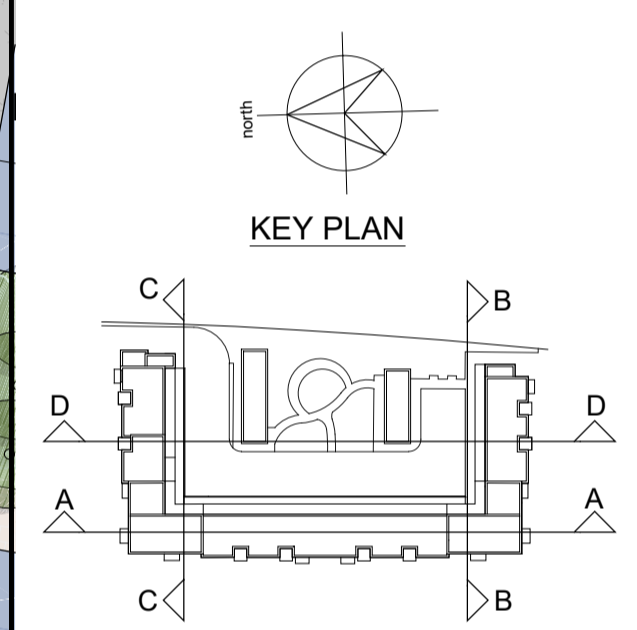


© This drawing is copyright.
 1 Do not scale this drawing.
 2 Errors and omissions to be immediately notified to Architect.
 3 All dimensions to be checked on site.
 4 To be read with relevant Engineers drawings.

Note:
 Furniture and fittings shown are indicative.
 Wardrobes in bedrooms are not counted as part of designated storage areas.

Notes:
 All dimensions in millimetres
 Refer to RMDA landscape drawings for landscape design



revisions	description	date	inls

drawing no.	1640 P 110
scale	1:200 @A1
date	JUL '19
drawn	CQ
checked	RB
client	Gerard Gannon Properties
issue	Clongriffin SHD 1 Planning
CONROY CROWE KELLY ARCHITECTS & URBAN DESIGNERS 65 MERRION SQUARE DUBLIN 2 phone 01 6613990 fax 01 6765715 email info@cck.ie	

GROUND FLOOR PLAN